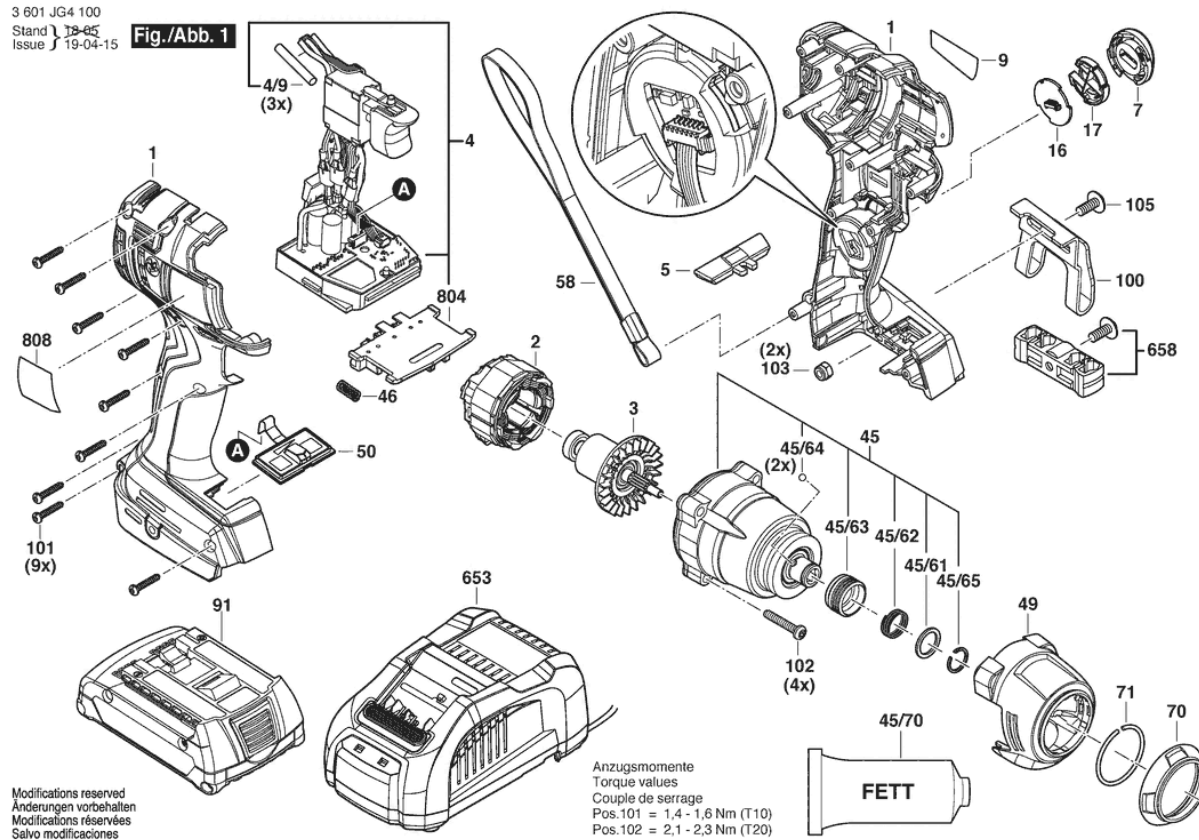


Illustration - Type - E



Spare parts list

Item	Part Number	Description	Illustration
1	1 605 806 5CZ	Housing	1
2	1 619 P14 412	Stator	1
3	1 619 P14 405	Rotor	1
4	1 607 233 5EV	Electronics Module	1
4/9	1 600 712 03S	Shrinkable Tube	1
5	1 600 A01 1KN	Changeover Lever	1
7	1 600 A00 RU8	Cover unit	1
9	1 601 11C 28L	Manufacturer's nameplate	1
16	1 607 503 333	Printed-Board Assembly	1
17	1 600 A00 M53	Cover Panel	1
45	1 600 A01 1PP	Gear Box	1
45/61	1 600 A00 ZP4	Washer	1
45/62	0 618 800 04V	Compression Spring	1
45/63	0 618 800 04S	Sleeve	1
45/64	1 600 A00 F4A	steel ball	1
45/65	0 618 800 04U	Retaining ring	1
45/70	1 600 A00 2NE	Grease Tube 45 ML	1
46	1 609 280 477	Compression Spring	1
49	1 600 A00 J37	Cover	1
50	1 600 A01 3BB	Keyboard	1
58	2 609 100 301	Strap	1
70	1 600 A01 1DL	Protective Cap	1
71	1 604 601 037	Retaining ring	1
91	1 607 A35 0AN	Battery Pack	1
91	2 607 337 069	Battery Pack	1
100	2 609 111 584	Clip	1
101	2 609 110 201	Torx Flat-Head Screw 3X16	1
102	0 618 800 04W	Torx Flat-Head Screw	1
103	2 609 110 835	Nut	1
105	2 609 110 834	Screw	1
653	2 607 225 921	Charger EU GAL 1880 CV 230/14,4-18V	1
653	2 607 225 923	Charger	1
658	2 609 199 748	Bit holder	1
804	1 609 280 820	Contact retainer 18V	1

Spare parts list

Item	Part Number	Description	Illustration
808	1 601 11A 59C	Nameplate	1